

# SKYJACK™

## SJ63AJ 4WD, DIESEL, 63' ARTICULATING BOOM

AVAILABLE FOR  
RENT OR SALE

**ATS**  
EQUIPMENT INC.

[www.atsequipment.com](http://www.atsequipment.com)

### UNPARALLELED UP-AND-OVER

Skyjack articulating booms offer precise positioning capabilities packaged in a high capacity boom with industry-leading up-and-over reach. The tight turning radius on these machines and minimal tailswing make them ideal for maneuvering in confined areas.

#### SPEEDYREACH™

Skyjack's SJ63/85 AJ features a boom geometry that allows the operator to lower the main fly boom to ground level to restock on material or supplies, then return to full height at the original working position - without lowering the riser section. It can be quickly executed and there is no need for machine repositioning or having to remember the sequence of operations to get back to the original working position - thus, improving productivity.

#### STANDARD FEATURES

- Axle based 4WD system
- Operator controlled locking rear differential and limitedslip front differential
- Oscillating axle
- Drivable at full height
- 360° Continuous turret rotation
- 45% Gradeability
- Deutz TD2.9L4 diesel engine or Kubota WG2503 dual fuel engine
- Swing out engine tray
- Swing up cowlings
- Modular platform railing system
- Tri-entry sliding mid-rails
- 110V AC Outlet on platform with GFI
- EASYDRIVETM direction sensing drive and steer controls
- SKYRISERTM true vertical rise
- SPEEDYREACH™ functionality
- Proportional controls
- Relay based control system
- SKYCODEDTM color coded and numbered wiring system
- Hourmeter
- Operator horn
- All motion alarm
- Tie down/lifting lugs
- Wet disc SAHR brakes (front and rear axle)
- 10.5 x 17.5 Grip lug air-filled tires
- Telematics ready
- 2 Year Gold Leaf Warranty (5 year structural warranty)

† Standard lead times may be increased when optional equipment is added, consult factory.

‡ Capacities and machine weights may differ when options are added.



**ATS EQUIPMENT INC. Construction Equipment & Supplies Rentals • Sales • Service**

**BOSTON, MA**  
**(617) 825-3600**

**AUBURN, MA**  
**(508) 832-8500**

**REHOBOTH, MA**  
**(508) 379-6200**

**CANDIA, NH**  
**(603) 483-2100**

# SKYJACK™

## SJ63 AJ

### 4WD, DIESEL, 63' ARTICULATING BOOM

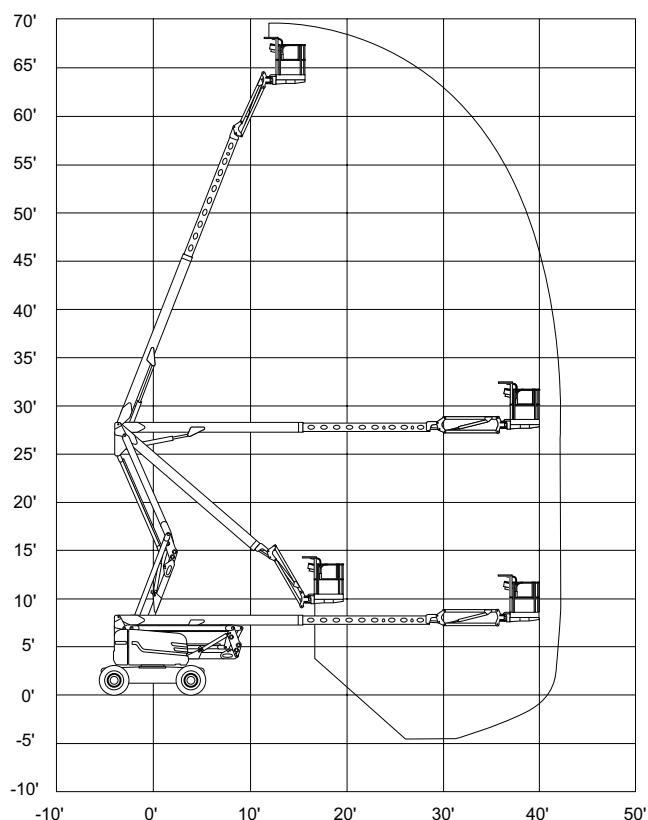
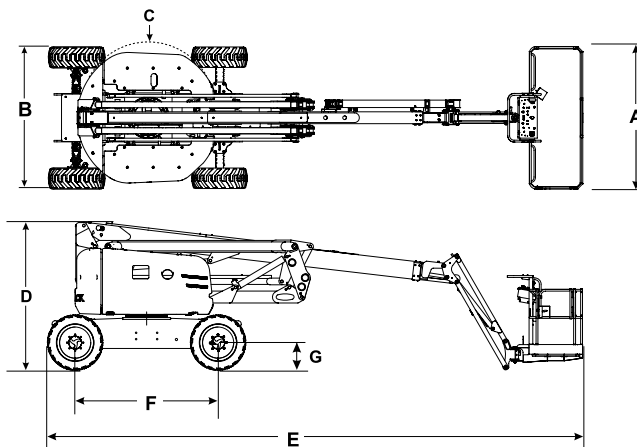
AVAILABLE FOR  
RENT OR SALE



[www.atsequipment.com](http://www.atsequipment.com)

Dimensions	SJ63 AJ
Work Height	69'7" (21.21 m)
Platform Height	63'7" (19.38 m)
Horizontal Reach	40' (12.19 m)
Up and Over Height	27'6" (8.38 m)
<b>A</b> Platform Size	36" x 96" (0.91 x 2.4 m)
<b>B</b> Stowed Width	96" (2.44 m)
<b>C</b> Tailswing	Zero
<b>D</b> Stowed Height	100" (2.54 m)
<b>E</b> Stowed Length	30' (9.14 m)
<b>F</b> Wheelbase	8' (2.44 m)
<b>G</b> Ground Clearance	13" (0.33 m)

Specifications	SJ63 AJ
Rotation	360°
Platform Rotation	170°
Jib Length	5' 6" (1.68 m)
Jib Range +/-	+65° / -60°
Weight	21,200 lbs (9,616 kg)
Gradeability	45%
Turning Radius (Inside)	7'3" (2.21 m)
Turning Radius (Outside)	17'5" (5.31 m)
Axle Oscillation	4" (10.16 m)
Drive Speed (High speed)	4.5 mph (7.3 km/h)
Capacity	500 lbs (227 kg)
Local Floor Load ( With Rated Load)	167 psi (1,151 kPa)
Overall Floor Load (With Rated Load)	245 psf (11.73 kPa)
Maximum # of Persons	2
Tire Type	Grip lug air-filled
Tire Size	10.5 x 17.5
Diesel Engine	74 HP
Dual Fuel Engine	61 HP
Fuel Tank Capacity	30.4 gal. (115L)
Hydraulic Reservoir	30.4 gal. (115L)



SJ63 AJ Work Height

**ATS EQUIPMENT INC. Construction Equipment & Supplies Rentals • Sales • Service**

**BOSTON, MA**  
**(617) 825-3600**

**AUBURN, MA**  
**(508) 832-8500**

**REHOBOTH, MA**  
**(508) 379-6200**

**CANDIA, NH**  
**(603) 483-2100**