

TAKEUCHI

TB210R

MINI EXCAVATOR

AVAILABLE FOR RENT AT



www.atsequipment.com



OPERATING PERFORMANCE

Operating Weight	2,535 lb
Max. Bucket Breakout Force	2,518 lb
Max. Arm Digging Force	1,439 lb
Arm Length	2 ft 10.6 in
Slew Speed	10.0 rpm
Traction Force	2,878 lb
Ground Pressure	4.1 psi
Max. Travel Speed	
Low Range	1.2 mph
High Range	2.3 mph

HYDRAULIC

Total Hydraulic Flow	5.9 gal / min
Auxiliary Hydraulic Flow	5.9 gal / min
System Operating Pressure	2,680 psi

ENGINE

Model / Make	Kubota / D722-E4B
Displacement	43.9 cu in
Horsepower @ 2,200	11.7 hp
Max. Torque @ 1,900 rpm	26.4 ft-lb

FLUID CAPACITIES

Engine Lubrication	3.0 qt
Cooling System	4.2 qt
Fuel Tank Capacity	3.3 gal
Hydraulic Reservoir Capacity	2.3 gal
Hydraulic System Capacity	4.0 gal



Dual side entry



Minimal Tail Swing



Takeuchi Fleet Management

- 2 Year Standard Service
- Utilization Tracking
- Minimize Downtime
- Proactive Maintenance
- Remote Diagnostics
- Control Costs

ATS EQUIPMENT INC.

Construction Equipment & Supplies

Rentals • Sales • Service

BOSTON, MA
(617) 825-3600

AUBURN, MA
(508) 832-8500

REHOBOTH, MA
(508) 379-6200

CANDIA, NH
(603) 483-2100

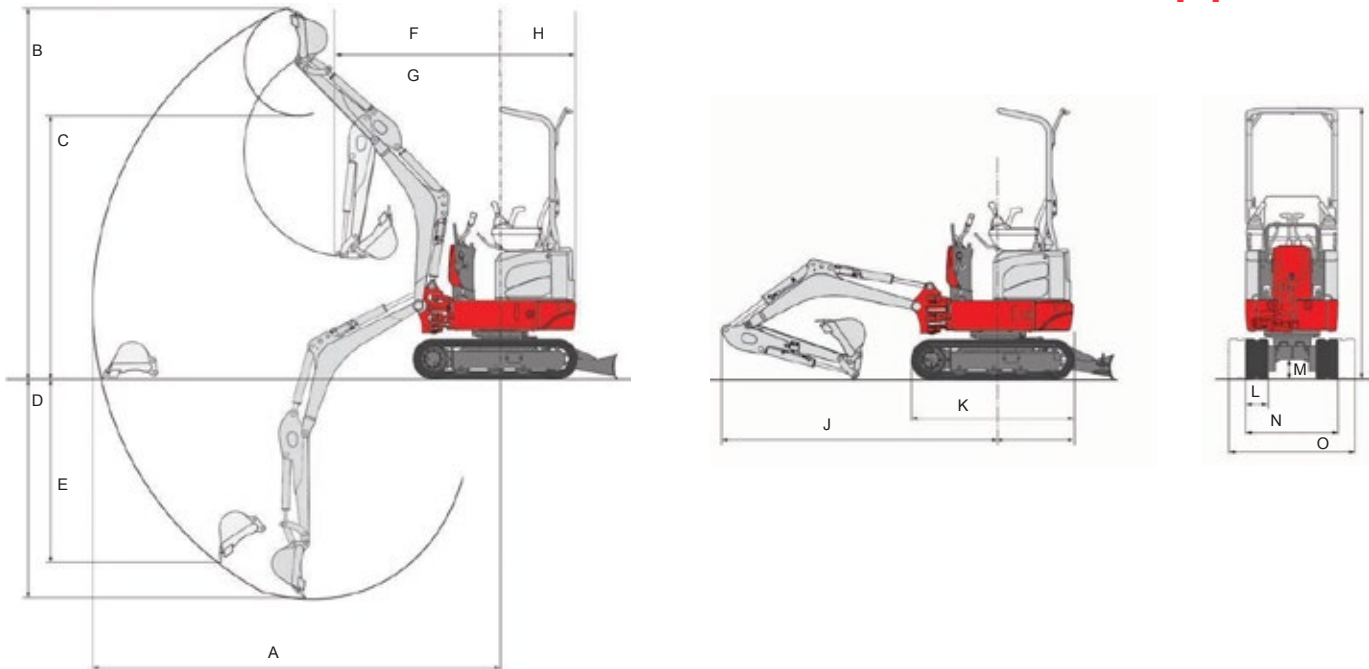
AVAILABLE FOR RENT OR SALE

TAKEUCHI TB210R

MINI EXCAVATOR



www.atsequipment.com



Machine Dimensions

A	Maximum Reach	10 ft 9.4 in
B	Maximum Dig Height	9 ft 9.5 in
C	Maximum Dump Height	6 ft 11.5 in
D	Maximum Dig Depth	5 ft 9.1 in
E	Maximum Vertical Dig Depth	4 ft 10 in
F	Front Swing Radius	4 ft 4 in
G	Front Swing Radius (Offset)	3 ft 2.5 in
H	Tail Swing Radius	2 ft 0 in
I	Transport Height	7 ft 2.2 in
J	Transport Length	9 ft 8.3 in
K	Undercarriage Length	4 ft 4.2 in
L	Track Width	7.1 in
M	Ground Clearance	6.2 in
N	Track Width Retracted	29.5 in
O	Track Width Extended	40.2 in

Machine Features

ENGINE

- U.S. EPA Final Tier 4 Emission Compliant

OPERATOR'S STATION

- ROPS / TOPS Two Post Foldable Frame
- Pattern Change Valve
- Foot Controlled Auxiliary Hydraulics
- 2" Retractable Seat Belt

ATS EQUIPMENT INC.

Construction Equipment & Supplies

Rentals • Sales • Service

BOSTON, MA
(617) 825-3600

AUBURN, MA
(508) 832-8500

REHOBOTH, MA
(508) 379-6200

CANDIA, NH
(603) 483-2100