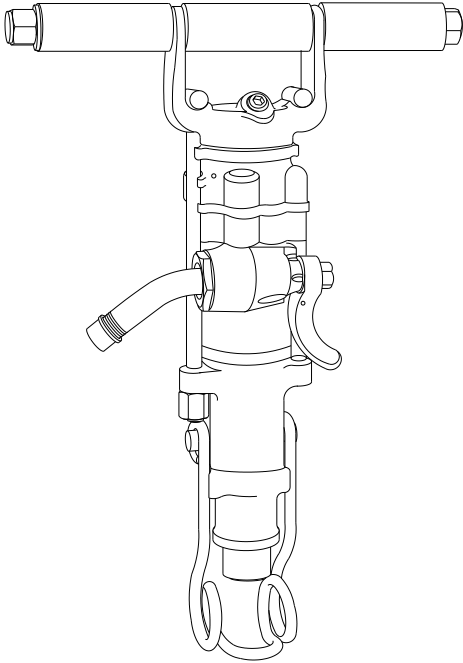




Spare Parts List

CP 0022 Rock drill



2005-09

No. 9800 0517 01

© Copyright
Stockholm, Sweden

Contents

Pages

General information..... 4

Exploded views and tables 6-9

GENERAL INFORMATION

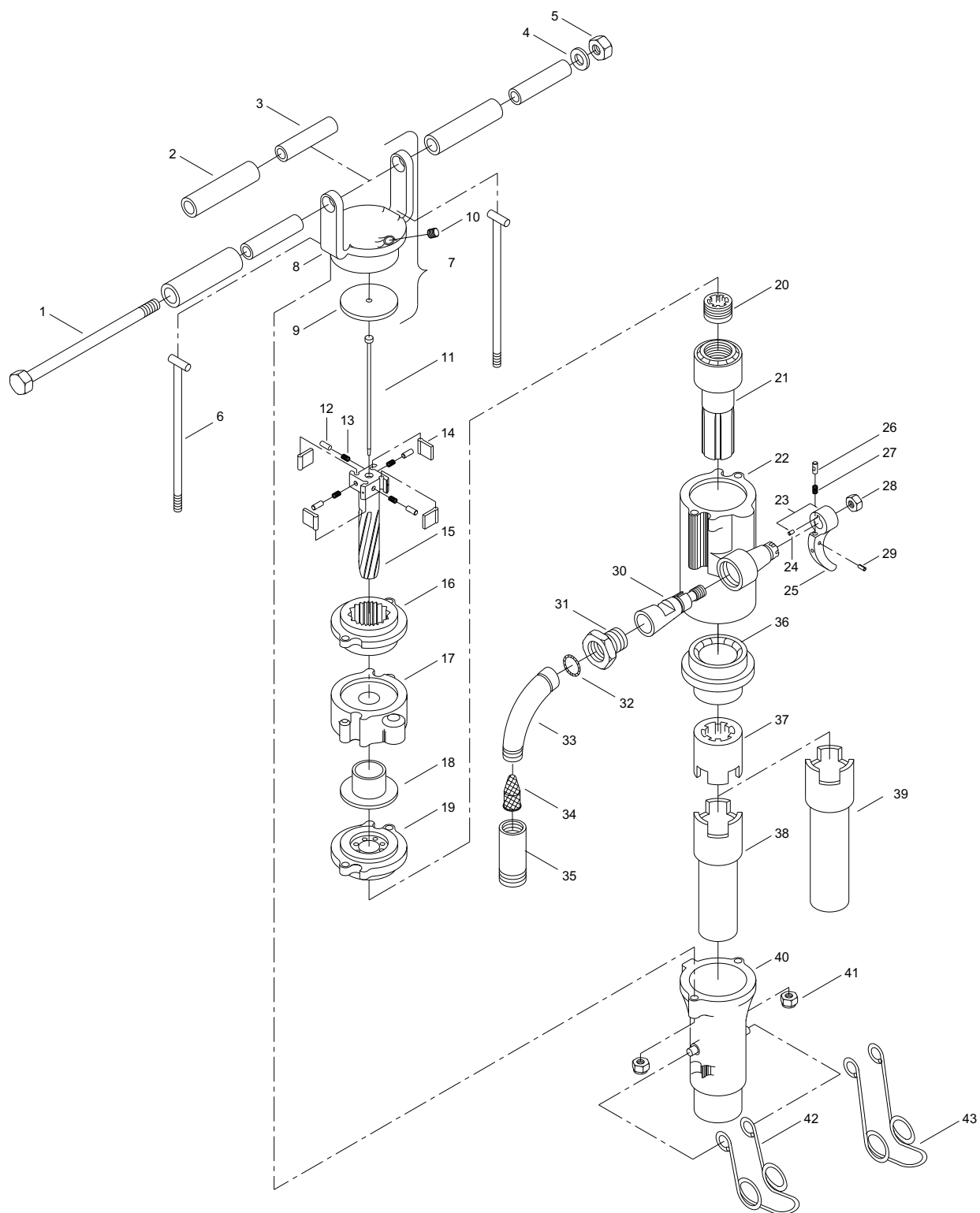
Welcome! Protect your investment in the world's finest air tools. Use genuine CP replacement parts.

The purchase of replacement parts for your CP tools deserves the same good judgment that resulted in the buying of the tools themselves. Each genuine CP part is made from carefully selected and inspected material, subjected to sophisticated machinery and finishing processes and heat-treated to produce just the right combination of hardness, ductility and impact resistance for its intended use. All parts are manufactured concurrently with those used in production tools, and are identical to them. The use of parts other than genuine CP replacement parts can lead to substandard performance, early failure, possible damage of other parts and, in some instances, unsafe conditions.

To reduce the risk of injury, read and understand the Operating Instructions manual and the percussion tool safety instructions before operating the tool.

CP 0022 is a pneumatic sinker drill with drilling capability of holes up to 1.5" (38 mm) diameter, 8.8' (2.7 m) deep. This tool is designed for applications in public works, utilities and drilling from scaffolding.

EXPLODED VIEW OF CP 0022



Ref. No.	Ordering No.	Qty.	Description
1	R075584	1	Bolt - Handle
2	R000692	3	Grip - Handle
3	R000694	3	Liner - Handle
4	R000142	1	Washer - Bolt key
5	R005742	1	Nut - Elastic stop
6	R075601	2	Bolt - Thru
7	F035373	1	Backhead (Includes item No. 8 & 9)
8		1	Backhead
9	R075580	1	Washer - Backhead
10	C077941	1	Plug - Pipe (3/8")
11	R075598	1	Rod - Air
12	R009224	4	Plunger - Pawl
13	R000619	4	Spring - Pawl plunger
14	R000617	4	Pawl
15	R075586	1	Bar - Rifle
16	R075585	1	Ring - Ratchet
17	R075583	1	Case - Valve
18	R075581	1	Valve
19	R075582	1	Valve seat
20	R075587	1	Nut - Rifle
21	R000037	1	Piston
22	R075577	1	Cylinder
23	R075589	1	Handle - Throttle valve (Includes item No.24 & 25)
24	R075592	1	Key - Throttle handle
25		1	Handle - Throttle valve
26	R075590	1	Plunger - Throttle handle
27	R000528	1	Spring - Throttle valve
28	R075593	1	Nut - Elastic stop (1/2" - 20)
29	P089767	1	Pin - Throttle valve (3/32" x 5/16")
30	R075588	1	Valve - Throttle
31	R075599	1	Nut - Air swivel
32	C106884	1	O-ring
33	F814720	1	Swivel - Air inlet
34	R005584	1	Screen - Air Inlet
35	R005744	1	Sleeve - Air inlet
36	R075578	1	Bushing - Cylinder
37	R075597	1	Nut - Chuck rotation
38	R075596	1	Chuck (7/8" hex. X 3 1/4")
39	R146130	1	Chuck (7/8" hex. X 4 1/4")
40	R075645	1	Fronthead (7/8" Hex.)
41	R085164	2	Nut - Through bolt
42	R075646	1	Retainer (7/8" Hex. X 3 1/4")
43	R146131	1	Retainer (7/8" Hex. X 4 1/4")
44	R154915	1	Vibration handle kit (Includes item No. 45 & 46) not shown
45	R157932	2	Hex. nut (Thin)
46	R157933	1	Rod - Threaded



2005-09
No. 9800 0517 01

© Copyright
Stockholm, Sweden

