

AVAILABLE FOR  
RENT OR SALE

SKYJACK™

# SJ86 T TELESCOPIC BOOM

**ATS**  
EQUIPMENT INC.

[www.atsequipment.com](http://www.atsequipment.com)

## 92' WORK HEIGHT, DIESEL

### PRECISE POSITIONING

Skyjack telescopic booms are ideal when extended horizontal and vertical outreach are key for the job site. These offer precise positioning paired with high capacity platforms and industry-leading reach.

### SKYCODED™

A proven and reliable control system, incorporating Skyjack's color coded and numbered wiring system, make our machines the easiest to trouble shoot and repair which means easier maintenance and lowered costs

### STANDARD FEATURES

- EASYDRIVE™ Direction sensing drive and steer controls
- SKYCODED™ Colour coded and numbered wiring system
- Axle based 4WD
- Operator controlled locking rear differential and limited slip front differential
- Oscillating axle
- 45% Gradeability
- Drivable at full height
- Stage V Deutz TCD2.2L diesel engine
- Wet disc SAHR brakes (front and rear axle)
- Relay based control system
- Proportional controls
- Secondary guarding electrical (SGE)
- Overload sensing system
- Tilt alarm with drive cut-out
- Dual capacity rating
- 0.91 x 1.83 m Platform
- Modular platform railing system
- Lanyard attachment points
- Tri-entry sliding mid-rail
- Wiring for AC outlet on platform
- Swing out engine tray
- Swing up cowlings
- Operator horn
- Hourmeter
- 360° Continuous turret rotation
- Tie down/lifting lugs
- 18 x 625 Grip lug foam filled tires



**ATS EQUIPMENT INC. Construction Equipment & Supplies Rentals • Sales • Service**

**BOSTON, MA**  
**(617) 825-3600**

**AUBURN, MA**  
**(508) 832-8500**

**REHOBOTH, MA**  
**(508) 379-6200**

**CANDIA, NH**  
**(603) 483-2100**

# SKYJACK™ SJ86 T

**92' WORK HEIGHT, TELESCOPIC BOOM, DIESEL**

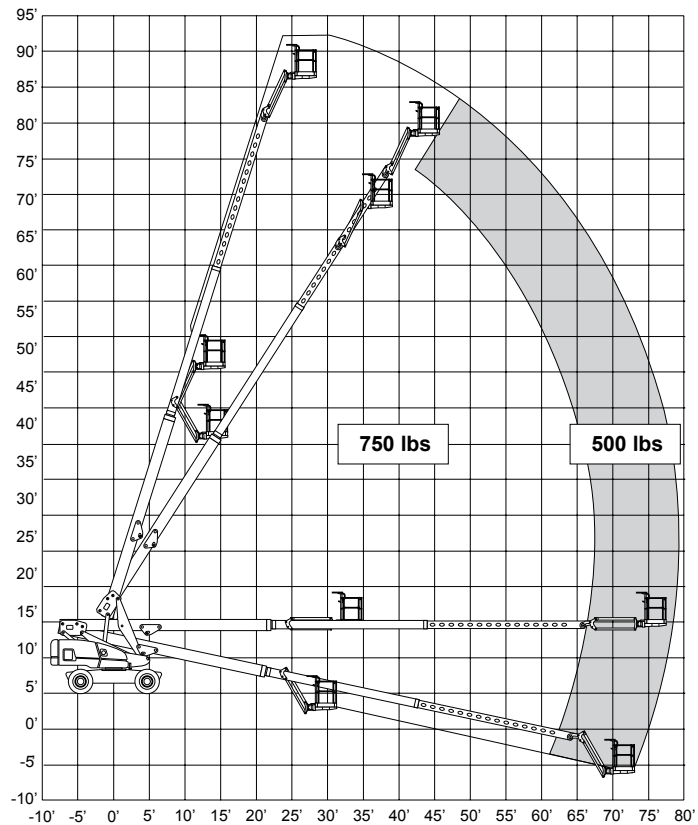
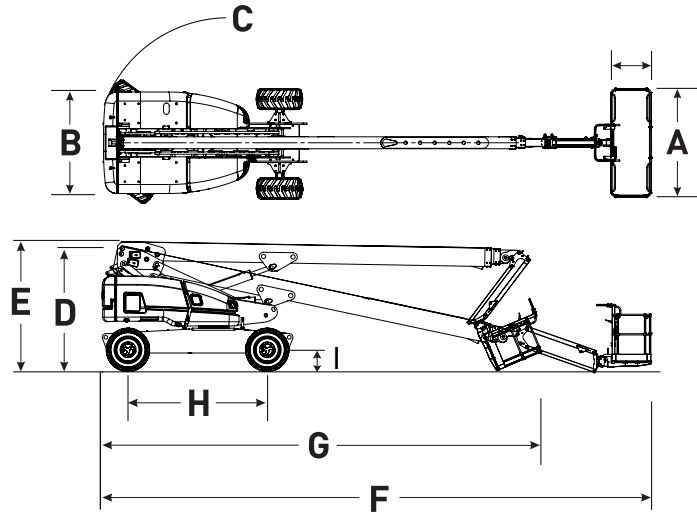
**AVAILABLE FOR  
RENT OR SALE**



[www.atsequipment.com](http://www.atsequipment.com)

Dimensions	SJ86T
Work Height	92'
Platform Height	86'
Horizontal Reach	76' 10"
<b>A</b> Platform Size	36" x 96"
<b>B</b> Stowed Width	8' 2"
<b>C</b> Tailswing	4' 8"
<b>D</b> Stowed Height	9' 10"
<b>E</b> Transportation Height	10' 3"
<b>F</b> Stowed Length	42' 6"
<b>G</b> Transportation Length	34' 9"
<b>H</b> Wheelbase	11"
<b>I</b> Ground Clearance	16'

Specifications	SJ86T
Rotation	360°
Platform Rotation	170°
Jib Length	5' 6"
Jib Range +/-	+65° / -60°
Weight	38,000 lbs
Gradeability	45%
Turning Radius (Inside)	11' 6"
Turning Radius (Outside)	21'
Axle Oscillation	4'
Drive Speed (High speed)	3 mph
Capacity	500 lbs
Maximum # of Persons	2/3
Tire Type	Foam Filled
Tire Size	18-625
Diesel Engine	74 HP
Fuel Tank Capacity	45 gallon
Hydraulic Reservoir	60 gallon



SJ86 T Work Height

**ATS EQUIPMENT INC. Construction Equipment & Supplies Rentals • Sales • Service**

**BOSTON, MA  
(617) 825-3600**

**AUBURN, MA  
(508) 832-8500**

**REHOBOTH, MA  
(508) 379-6200**

**CANDIA, NH  
(603) 483-2100**