

# **DYNAPAC**

Part of the Atlas Copco Group

# **CC900G**

## **TANDEM ASPHALT RIDE-ON ROLLER**

AVAILABLE FOR RENT AT

# **ATS**

**EQUIPMENT INC.**

[www.atsequipment.com](http://www.atsequipment.com)

## **Double Drum Vibratory Roller**

The CC900G is a small asphalt roller with a drum width of 900mm. This machine is equipped with a powerful petrol engine, which together with the large drum diameter and drive motors connected in series contributes to excellent accessibility and hill-climbing capacity. It's primarily used for small-scale compaction work such as pavements, cycle paths, small roads and small parking areas. CC900G has vibration on the front drum and a static rear drum.

This machine is not CE-certified.



**ATS EQUIPMENT INC.**

**Construction Equipment & Supplies**

**Rentals • Sales • Service**

**BOSTON, MA**  
**(617) 825-3600**

**AUBURN, MA**  
**(508) 832-8500**

**CANDIA, NH**  
**(603) 483-2100**

# DYNAPAC CC900G

## TANDEM ASPHALT RIDE-ON ROLLER

ATS EQUIPMENT INC.  
www.atsequipment.com

### Double Drum Vibratory Roller



#### SPECIFICATION

##### Engine

|                  |            |
|------------------|------------|
| Make             | Honda      |
| Model            | GX620k1QVD |
| Gross Power      | 18 hp      |
| Power Measured @ | 3000 rpm   |

##### Operational

|                  |           |
|------------------|-----------|
| Operating Weight | 2943.2 lb |
| Fuel Capacity    | 6.1 gal   |
| Max Speed        | 5 mph     |

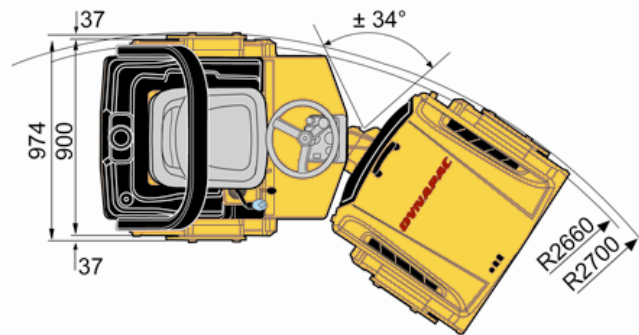
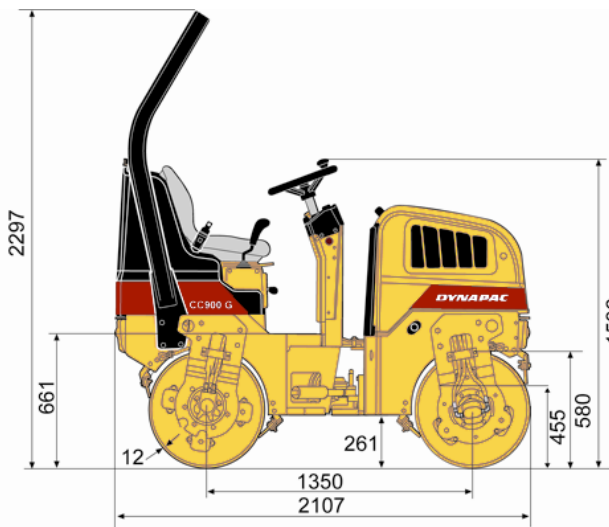
##### Drum

|                         |           |
|-------------------------|-----------|
| Drum Width              | 35.4 in   |
| Drum Diameter           | 22.8 in   |
| Static Linear Load      | lb/in     |
| Vibration Frequency 1   | 70 Hz     |
| Nominal Amplitude - Med | 0.02 in   |
| Centrifugal Force - Med | 3821.8 lb |

##### Overall Dimensions

|                       |       |
|-----------------------|-------|
| Overall Length        | 6' 9" |
| Overall Width         | 3' 2" |
| Height to top of Rops | 7' 5" |
| Wheelbase             | 4' 4" |
| Ground Clearance      | 10.3" |

A low total cost for the owner has always been a key objective in Dynapac's product development. High productivity, reliability and quality are other key design criteria in all of the Dynapac's products, our rollers offer excellent service access and high resale value due to the high product quality.



ATS EQUIPMENT INC. Construction Equipment & Supplies Rentals • Sales • Service

BOSTON, MA  
(617) 825-3600

AUBURN, MA  
(508) 832-8500

CANDIA, NH  
(603) 483-2100