

AVAILABLE FOR RENT

**DYNAPAC**

Part of the Atlas Copco Group

**CC122**

**Double drum vibratory roller**

**ATS**  
EQUIPMENT INC.

[www.atsequipment.com](http://www.atsequipment.com)

CC 122 is a series of articulated tandem rollers that have vibration and drive on both drums. These rollers are designed primarily for compacting asphalt but their compaction performance is also suitable for sub-bases and base courses. CC122 is designed primarily for smaller construction tasks, such as pavements, bicycle lanes and garage entrances. The CC122 features a corrosion-proof sprinkler system with triple filtration.

**WEIGHTS (LBS)**

Max operating weight	5,975
Operating weight (incl. ROPS)	5,735
Drum module weight, front/rear	2,780/2,955

**TRACTION**

Speed range (mph)	0-6
-------------------	-----

**COMPACTION**

Vibration frequency (vpm)	3,480/4,020
Centrifugal force per drum (lb)	6,120/8,170
Water tank (gallons)	42

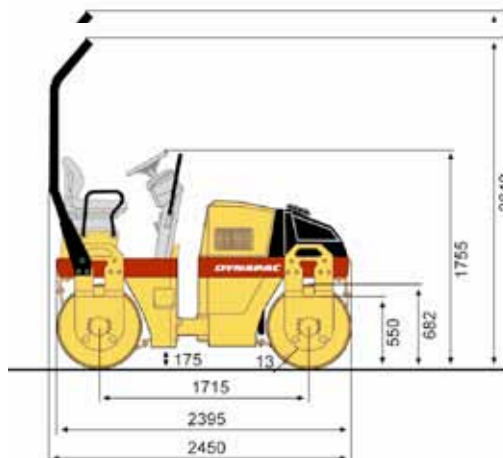
**ENGINE**

Model	Deutz D2011 L021
Type	Air cooled diesel
Rated power, SAE J1995, @ 2,800 rpm, hp	30
Fuel tank capacity (gallons)	13



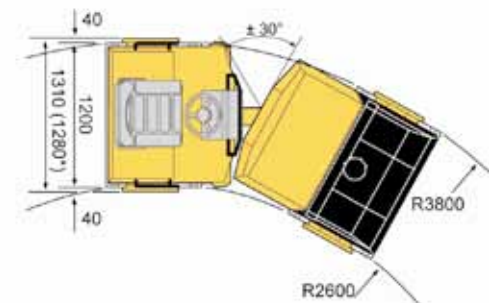
**DIMENSIONS**

A	67.5 in
L2	94 in
L1	96 in
K2	22 in
D	27 in
H2	69 in
H1	104 in
S	0.6 in
K1	7 in



**DIMENSIONS, TOP VIEW**

B	52 in
R1	150 in
R2	102 in
W	47 in



(\*without ROPS)

**ATS EQUIPMENT INC. Construction Equipment & Supplies Rentals • Sales • Service**

**BOSTON, MA**  
**(617) 825-3600**

**AUBURN, MA**  
**(508) 832-8500**

**CANDIA, NH**  
**(603) 483-2100**