

DYNAPAC

Part of the Atlas Copco Group

CA134D

Single Drum Vibratory Roller

AVAILABLE FOR RENT

ATS

EQUIPMENT INC.

www.atsequipment.com

The CA134D is a vibratory roller designed for compaction operations in pipe trenches, on road shoulders and in cramped spaces in connection with refilling work. The roller is also suitable for repair work on dams, power stations, parking lots and airfields. The smooth drum version with drum drive (D) gives good maneuverability even on very steep slopes.



ATS EQUIPMENT INC.

Construction Equipment & Supplies

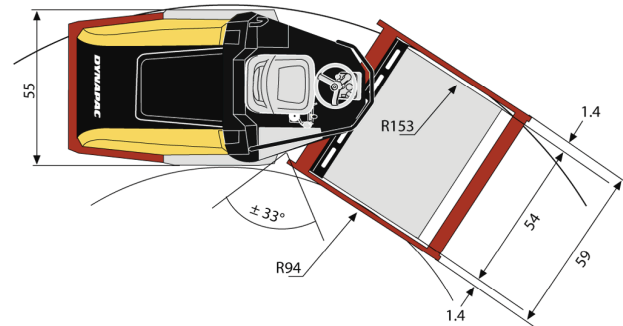
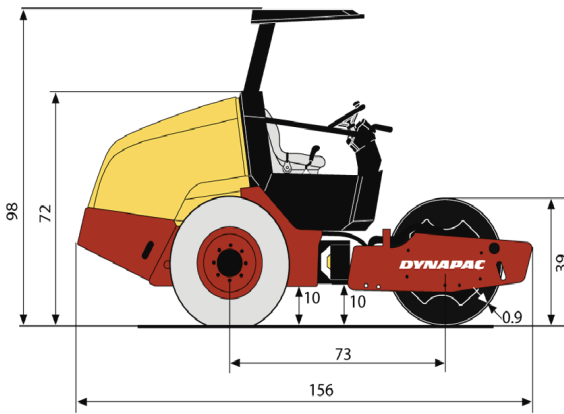
Rentals • Sales • Service

BOSTON, MA
(617) 825-3600

AUBURN, MA
(508) 832-8500

CANDIA, NH
(603) 483-2100

SINGLE DRUM VIBRATORY ROLLER



MASSES	CA134D
Max. operating weight	12,100 lbs
Operating weight (incl, ROPS)	10,000 lbs
Front module weight	4,000 lbs
Rear module weight	6,100 lbs
TRACTION	
Speed Range (mph)	0-6
Vertical oscillation	±9°
Tire size (8 ply)	12,5-20
Theor. Gradeability	55 %
COMPACTION	
Static linear load	73 lbs/in
Centrifugal force	20,000 lbf
Nominal amplitude	0.07 in
Vibration frequency	2,100 vpm
ENGINE	
Manufacturer	John Deere
Model	5030 HF285
Type	Water cooled turbo diesel with after cooler
Rated power	84 hp
Rated power @	2,800 rpm
Fuel tank capacity	31 gal

ATS EQUIPMENT INC. Construction Equipment & Supplies Rentals • Sales • Service

BOSTON, MA
(617) 825-3600

AUBURN, MA
(508) 832-8500

CANDIA, NH
(603) 483-2100