

AVAILABLE FOR RENT OR SALE

PORTAFILL **2000CT**

ATS
EQUIPMENT INC.

www.atsequipment.com

HEAVY DUTY COMPACT SCREEN



2000CT Applications

- **Standard 3/4" screen** – other sizes available
- **Primary Scalping** – 3" minus crusher run. Removal of oversize materials from bank run for later crushing
- **Small recycling yards** – fines removal to reduce landfill cost
- **Municipalities** – street sweepings, winter sand clean-up
- **Top-soil** – low moisture content top-soil can be screened effectively
- **Sand and Gravel**
- **Highway screening** – compact size allows for screening on site and the immediate re-use of waste material.



ATS EQUIPMENT INC.

Construction Equipment & Supplies

Rentals • Sales • Service

BOSTON, MA
(617) 825-3600

AUBURN, MA
(508) 832-8500

REHOBOTH, MA
(508) 379-6200

CANDIA, NH
(603) 483-2100

PORTAFILL 2000CT

ATS EQUIPMENT INC.
www.atsequipment.com

HEAVY DUTY COMPACT SCREEN

MAIN CONVEYOR

Features

- 36" Wide Belt
- Discharge Height 8' 6"
- Fully Skirted
- Hydraulically folding for transport

Benefits

- High capacity up to 400tph
- Good stockpile/side fill dump truck
- Avoid spillage
- Folds under for easy transport

SCREEN

Features

- Bolted, 2 Deck, 2 Bearing Screen
- 7' 6" x 5' 9"
- 12' 1" wide target
- Top Deck Options
 - Tapered Grizzly
 - Finger Screen;
 - Top Deck Frame with Punch plate or Woven Mesh

Benefits

- Reliable, same bolted design for 20 years
- Good screening area
- For excavators or loaders
- huge variety of applications

POWER UNIT

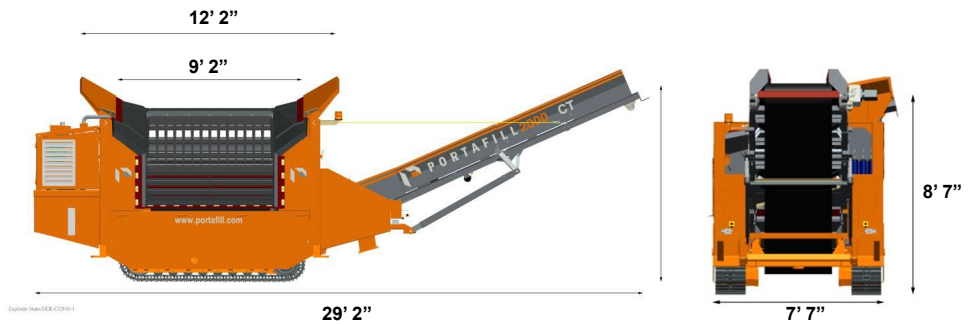
Features

- Deutz D2011 L041 (Tier III) Diesel
- 55HP
- 25 gal Capacity Diesel Tank
- 100 gal Hydraulic Tank
- Hydraulic Oil Cooler
- JMG Engine control panel
- Locked compartments
- Good design layout

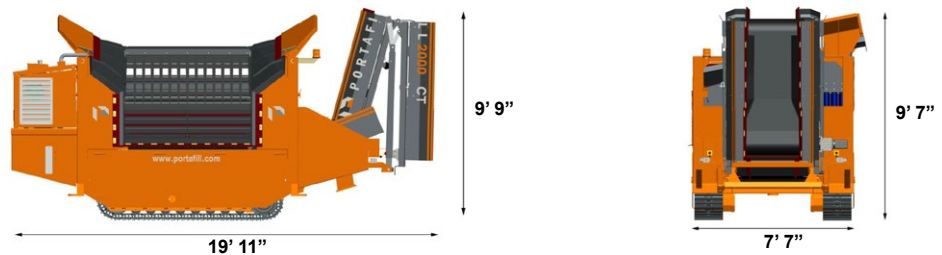
Benefits

- Reliable, used on other models of Portafill
- Low fuel consumption
- 1.3gal fuel per hour
- Better cooling capacity
- Reliable in hot climates
- Easy to service and maintain
- Filters all within easy reach

WORKING DIMENSIONS



TRANSPORT DIMENSION



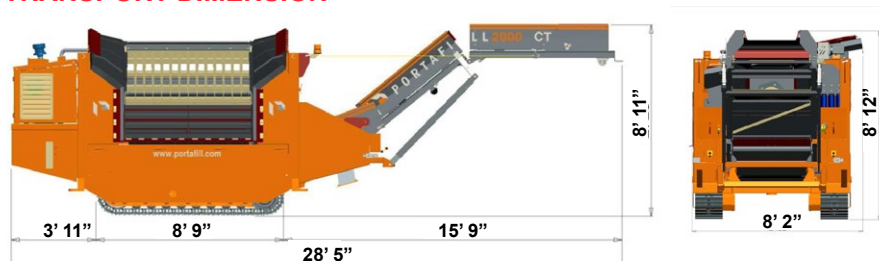
Transport Dimensions

- Transport Height 9'7"
- Transport Width 7'6"
- Transport Length 20'

Weight

- 22,046 lbs (Approx.)

TRANSPORT DIMENSION



Transport Dimensions

- Transport Height 8'9"
- Transport Width 8'1"
- Transport Length 28'5"

Weight

- 22,046 lbs (Approx.)

ATS EQUIPMENT INC.

Construction Equipment & Supplies

Rentals • Sales • Service

BOSTON, MA
(617) 825-3600

AUBURN, MA
(508) 832-8500

REHOBOTH, MA
(508) 379-6200

CANDIA, NH
(603) 483-2100