

**AVAILABLE FOR
RENT OR SALE**

Genie® TZ-34/20



www.atsequipment.com

TRAILER MOUNTED BOOM LIFT



ATS EQUIPMENT INC. Construction Equipment & Supplies Rentals • Sales • Service

**BOSTON, MA
(617) 825-3600**

**AUBURN, MA
(508) 832-8500**

**REHOBOTH, MA
(508) 379-6200**

**CANDIA, NH
(603) 483-2100**

AVAILABLE FOR RENT OR SALE

GENIE TZ-34/20

TRAILER MOUNTED BOOM LIFT



SPECIFICATIONS

Measurements

Working height max. ⁽¹⁾	40 ft
Platform height	34 ft
Entry height- extended	6.4 in
Horizontal reach	18 ft 4 in
Clear out reach	13 ft 5 in
Up-and-over clearance	16 ft 1 in
A Platform length	2 ft 2.8 in
B Platform width	3 ft 8 in
C Height - stowed	6 ft 4.5 in
D Length- stowed	18 ft 0.5 in
E Width- stowed	4 ft 9.1 in
F Ground clearance	9.5 in
G Length-outrigger footprint	10 ft 8.4 in
H Width-outrigger footprint	11 ft 9.4 in

Productivity

Lift capacity (ANSI, CSA)- standard	500 lb
Lift capacity (ANSI, CSA) - rotating platform	460 lb
Lift capacity (CE/AUS) - standard	440 lb
Lift capacity (CE/AUS) - rotating platform	400 lb
Platform rotation - mechanical	90°
Platform rotation - hydraulic	-
Turntable rotation	359°
Outrigger leveling capability	11°
Towing speed rate	60 mph
Tongue weight - ANSI, CSA	315 lb
Tongue weight - CE	163 lb
Tire size - ANSI, CSA	ST 205/75 R15
Tire size - CE	185R-14C

Power

Power source- standard	24V (4x6V 225Ah)
Hydraulic tank capacity	2.65 gal
Hydraulic system capacity	4.5 gal

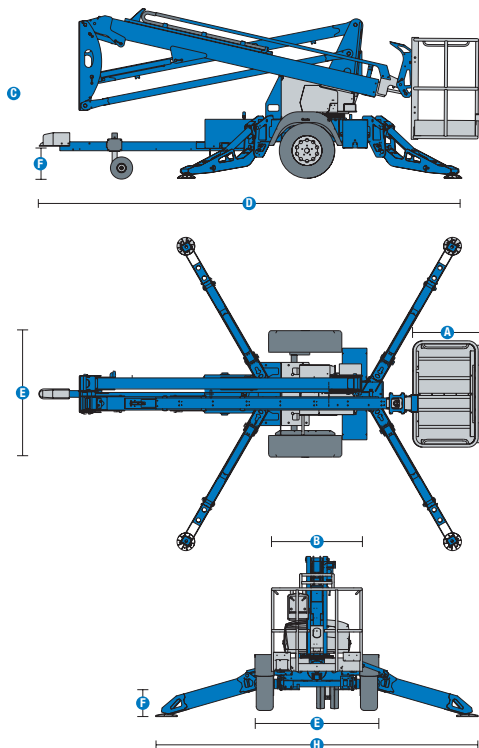
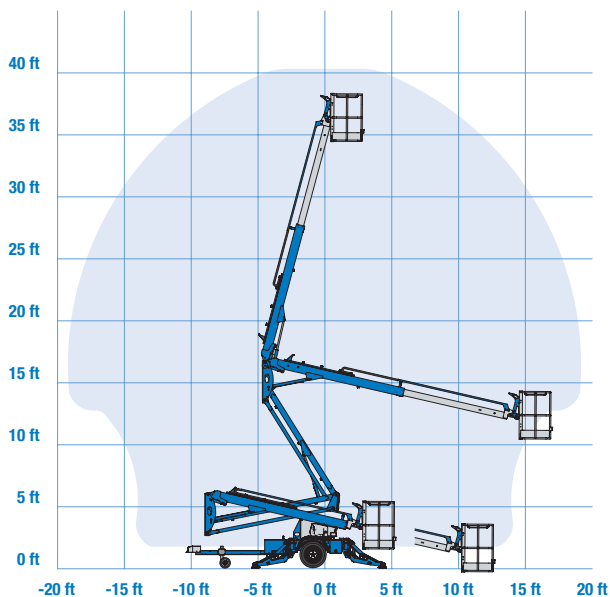
Weight⁽³⁾

Weight- ANSI, CSA, Australia	3,155 lb
------------------------------	----------

Sound and Vibration Levels

Sound Pressure level (ground workstation)	< 70 dBA
Sound Pressure level (platform workstation)	< 70 dBA
Vibrations	< 2.5 m/s ²

RANGE OF MOTION



ATS EQUIPMENT INC.

Construction Equipment & Supplies

Rentals • Sales • Service

BOSTON, MA
(617) 825-3600

AUBURN, MA
(508) 832-8500

REHOBOTH, MA
(508) 379-6200

CANDIA, NH
(603) 483-2100