



AVAILABLE FOR RENT OR SALE



440R BUCKET

www.atsequipment.com

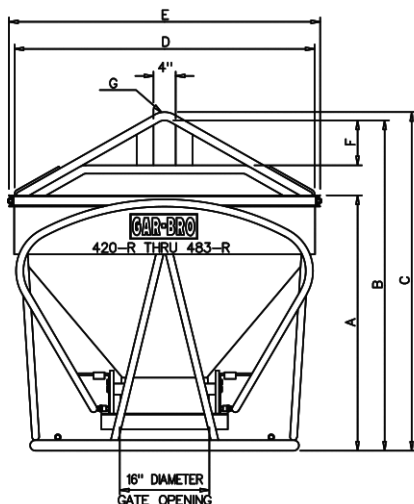
LIGHTWEIGHT ROUND-GATE CONCRETE BUCKETS

The Gar-Bro Round Gate or 'R' Series Concrete Bucket is 30% to 50% lighter than most standard steel buckets of the same capacity. The double clamshell 16-inch diameter gate features the Gar-Bro venturi throat and is non-jamming, grout tight and self-closing. A variety of attachments are available for all 'R' series buckets, including rubber accordion hoppers, side chutes, air operated gate systems, and extension collars.

Bucket frame is made to accommodate optional side discharge chute. Note opening on base ring to accommodate chute when bucket is resting on the ground. Side discharge is essential when bucket cannot be positioned directly over forms. The optional side chute is easy to install and remove.

Item No.	Rated Capacity Cubic Yards	Level Capacity Cubic Feet	Outside Diameter Inches	Loading Height Inches	Weight Pounds
440-R	1 1/2	40.5	63	53	500

Venturi Throat for rapid discharge and thorough clean-out



Item No.	Rated Capacity Cu.Yd	Loading Height A (in)	Suspended Height B (in)	Overall Height C (in)	Inside Diameter D (in)	Outside Diameter E (in)	Between Rnd Bar F (in)	Round Bar Dia. G (in)	Empty Weight (lbs)
440-R	1 1/2	53	68	69 1/2	60	63	8 1/2	1 1/2	500

ATS EQUIPMENT INC. Construction Equipment & Supplies Rentals • Sales • Service

**BOSTON, MA
(617) 825-3600**

**AUBURN, MA
(508) 832-8500**

**CANDIA, NH
(603) 483-2100**

**E. PROVIDENCE, RI
(401) 434-7700**